

CE: (Europe) 220-240V - 50/60Hz	SKU: 01024209	EAN: 737859242090
UK: (United Kingdom) 220-240V - 50/60Hz	SKU: 01024209	EAN: 737859242090
US: (United States and Canada) 110-120V - 50/60Hz	SKU: 01024210	EAN: 737859242106
JP: (Japan) 110-120V - 50/60Hz	SKU: 01024211	EAN: 737859242113
CCC: (China) 220-240V - 50/60Hz	SKU:	EAN:



GENERAL



IP20

Product name:	Seasons 100 Chandelier - Winter
Collection:	SEASONS
Mounting:	Chandelier
Finish:	Winter
IP:	20
Use:	Indoor
Environment:	Art Deco and nature are the sources of inspiration for Seasons, a lighting collection that combines the stamp of a recognizable style with the richness of colors and shapes of the seasons of the year. The happy 20's are the framework in which the vitalist Art Deco emerged, recognizable by its aerodynamic lines and geometric patterns. A style that, fruit of a laborious process of engraving composes this fantastic collection of lights.
Installation and assembly:	Follow instructions of the installation guide
Care:	The luminaires require only a light dusting with a soft or microfiber cloth. Dust and polish the bulbs with that soft cloth before dusting the luminaire itself. Clean the porcelain parts in warm, soapy water. For non-porcelain components use only dry soft cloth. Do not use chemicals.



ELECTRICAL CHARACTERISTICS



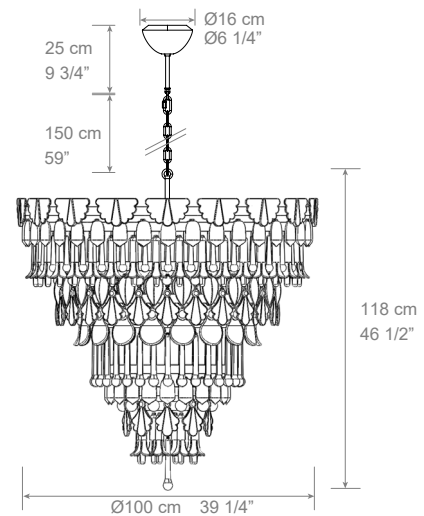
Max. Power:	16 x 9W LED			
Certifications and Marks:	CE (Yes), UKCA (Yes), UL (Yes), NOM (Yes), PSE (...), CCC (No)			
Lampholder/LED:	Lampholder - Bulb not included			
CE:	E14	16 x E14 Max. 9W LED	220/240 VAC	50/60 Hz
UK:	E14	16 x E14 Max. 9W LED	220/240 VAC	50/60 Hz
US:	E12	16 x E12 Max. 9W LED	100/125 VAC	50/60 Hz
JP:	E17	16 x E17 Max. 9W LED	100/125 VAC	50/60 Hz
CCC:				
Bulb Limitations:	Max. height 85mm - Max. height 33 1/2"			
Class:	I			
Regulation mode:	-			
Regulation included:	Dimmer not included			
USB Charge:	-			
LED characteristics (LED only):	-			
Energy efficiency (LED only):	-			
Risk group (LED only):	-			
Others:	-			

CE: (Europe) 220-240V - 50/60Hz	SKU: 01024209	EAN: 737859242090
UK: (United Kingdom) 220-240V - 50/60Hz	SKU: 01024209	EAN: 737859242090
US: (United States and Canada) 110-120V - 50/60Hz	SKU: 01024210	EAN: 737859242106
JP: (Japan) 110-120V - 50/60Hz	SKU: 01024211	EAN: 737859242113
CCC: (China) 220-240V - 50/60Hz	SKU:	EAN:
Product name:	Seasons 100 Chandelier - Winter	



PHYSICAL CHARACTERISTICS

General measures (cm):	118 x 100 x 100 cm (Height x Length x Width)
General measures (inch):	46 1/2 x 39 1/4 x 39 1/4" (Height x Length x Width)
Max. Height:	293 cm - 115,25"
Min. Height:	143 cm - 56,25"
Standard Height:	293 cm - 115,25"
Cable / Chain Length:	150 cm - 59"
Color cable:	Black (CE), Gold (UK), Clear (US), Clear (JP)
Net weight:	45 kg - 99,22 lb
Materials:	Porcelain, metal, crystal
Support method:	Canopy
Support measures:	Ø16 x 9 cm - Ø6 1/4 x 3 1/2"
Support material:	Porcelain
Support color:	Black
Accessory type:	Lights cover
Accessory measures:	Ø9 x 4,5 cm - Ø3 1/2 x 1 3/4"
Accessory material:	Brass
Accessory color:	Black Nickel Pleated



PACKAGING CHARACTERISTICS

Quantity boxes:	1
Measure box:	(1) 1,59 x 1,47 x 1,47 m - 62 1/2 x 57 3/4 x 57 3/4" (2) -
Volume box:	(1) 34,35 m ³ - 1213,35 ft ³ (2) -
Weight box:	(1) 160 kg - 352,73 lb (2) -
Total Weight:	160 kg - 352,73 lb