

<b>CE:</b> (Europe) 220-240V - 50/60Hz	SKU: <b>01024320</b>	EAN: 737859243202
<b>UK:</b> (United Kingdom) 220-240V - 50/60Hz	SKU: <b>01024320</b>	EAN: 737859243202
<b>US:</b> (United States and Canada) 110-120V - 50/60Hz	SKU: <b>01024321</b>	EAN: 737859243219
<b>JP:</b> (Japan) 110-120V - 50/60Hz	SKU: <b>01024322</b>	EAN: 737859243226
<b>CCC:</b> (China) 220-240V - 50/60Hz	SKU: <b>01024323</b>	EAN: 737859243233



### GENERAL



IP20

Product name:	<b>Firefly hanging lamp (pearly)</b>
Collection:	FIREFLY
Mounting:	Hanging lamp
Finish:	Pearly
IP:	20
Use:	Indoor
Environment:	We extend the collection by changing the elements but maintaining the successful aesthetics with these table, floor and hanging lamps. Their shape is based on vegetal motifs reminding us in palm trees or lotus flowers. These lamps create a varied range of products that fit in to perfection in contemporary as well as traditional interiors and, at once, they are ideally suited both for private homes and public use.
Installation and assembly:	Follow instructions of the installation guide
Care:	The luminaires require only a light dusting with a soft or microfiber cloth. Dust and polish the bulbs with that soft cloth before dusting the luminaire itself. Clean the porcelain parts in warm, soapy water. For non-porcelain components use only dry soft cloth. Do not use chemicals.



### ELECTRICAL CHARACTERISTICS



Max. Power:	1 x 15W LED (15W)			
Certifications and Marks:	CE (Yes), UKCA (Yes), UL (Yes), NOM (No), PSE (Yes), CCC (...)			
Lampholder/LED:	Lampholder - Bulb not included			
<b>CE:</b>	E27	1 x E27 Max. 15W LED	220/240 VAC	50/60 Hz
<b>UK:</b>	E27	1 x E27 Max. 15W LED	220/240 VAC	50/60 Hz
<b>US:</b>	E26	1 x E26 Max. 15W LED	100/125 VAC	50/60 Hz
<b>JP:</b>	E26	1 x E26 Max. 15W LED	100/125 VAC	50/60 Hz
<b>CCC:</b>	E27	1 x E27 Max. 9W LED	220/240 VAC	50/60 Hz
Bulb Limitations:	-			
Class:	I			
Regulation mode:	-			
Regulation included:	Dimmer not included			
USB Charge:	-			
LED characteristics (LED only):	-			
Energy efficiency (LED only):	-			
Risk group (LED only):	-			
Others:	-			

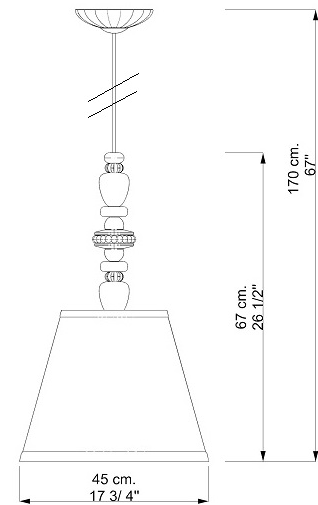
<b>CE:</b> (Europe) 220-240V - 50/60Hz	SKU: <b>01024320</b>	EAN: 737859243202
<b>UK:</b> (United Kingdom) 220-240V - 50/60Hz	SKU: <b>01024320</b>	EAN: 737859243202
<b>US:</b> (United States and Canada) 110-120V - 50/60Hz	SKU: <b>01024321</b>	EAN: 737859243219
<b>JP:</b> (Japan) 110-120V - 50/60Hz	SKU: <b>01024322</b>	EAN: 737859243226
<b>CCC:</b> (China) 220-240V - 50/60Hz	SKU: <b>01024323</b>	EAN: 737859243233

Product name:	<b>Firefly hanging lamp (pearly)</b>
---------------	--------------------------------------



### PHYSICAL CHARACTERISTICS

General measures (cm):	67 x 45 x 45 cm (Height x Length x Width)
General measures (inch):	26 1/2 x 17 3/4 x 17 3/4" (Height x Length x Width)
Max. Height:	300 cm - 118"
Min. Height:	77 cm - 30 1/4"
Standard Height:	170 cm - 67"
Cable / Chain Length:	300 cm - 118"
Color cable:	Black Textil (CE), Black Textil (UK), Black Textil (US), Black Textil (JP), Black Textil (CCC)
Net weight:	2,76 kg - 6,09 lb
Materials:	Porcelain, metal, fabric
Support method:	Canopy
Support measures:	Ø19 x 6 cm - Ø7 1/2 x 2 1/4"
Support material:	Porcelain
Support color:	Brown
Accessory type:	Lampshade
Accessory measures:	Ø45 x 36 cm - Ø17 3/4 x 14 1/4"
Accessory material:	Fabric
Accessory color:	Brown Pleated



### PACKAGING CHARACTERISTICS

Quantity boxes:	2
Measure box:	(1) 0,28 x 0,27 x 0,57 m - 11 x 10 3/4 x 22 1/2" (2) 0,38 x 0,48 x 0,48m - 15 x 19 x 19"
Volume box:	(1) 0,04 m³ - 1,56 ft³ (2) 0,88 m³ - 30,92 ft³
Weight box:	(1) 3,50 kg - 7,72 lb (2) 1,40 kg - 3,09 lb
Total Weight:	4,90 kg - 10,80 lb