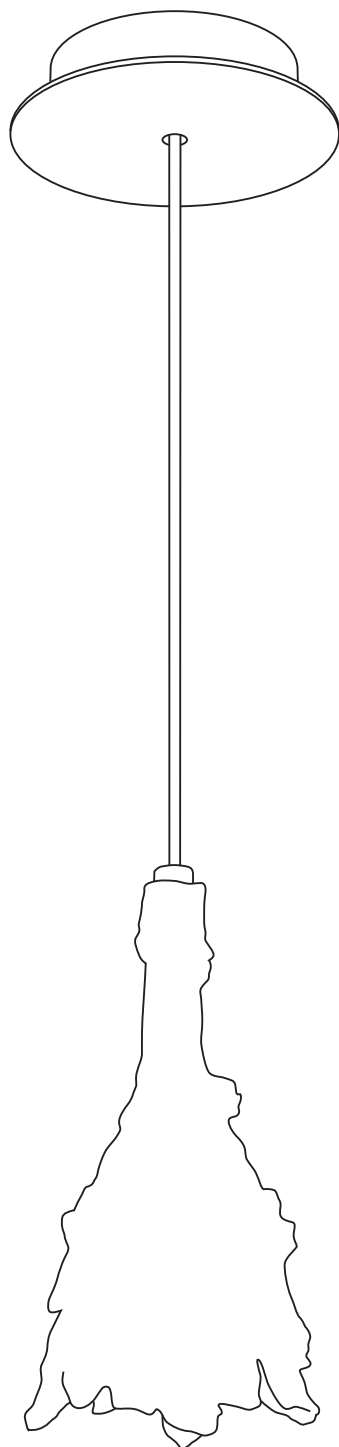
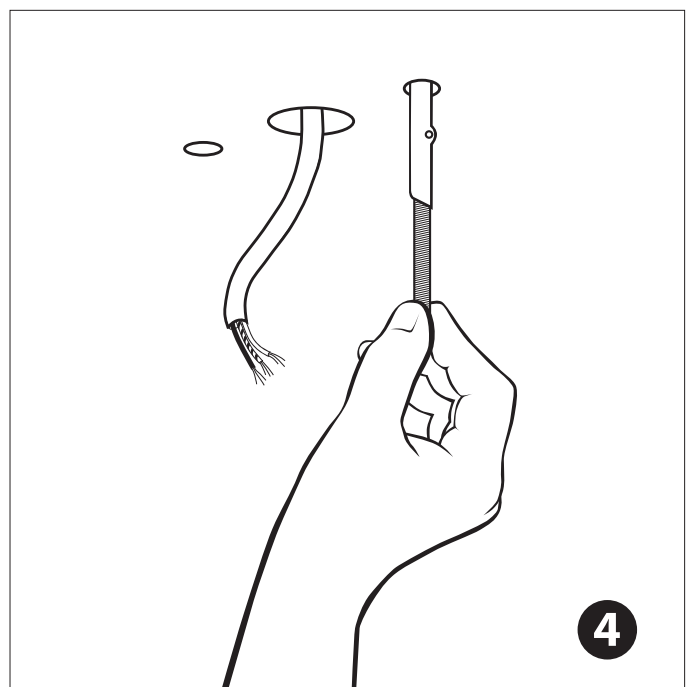
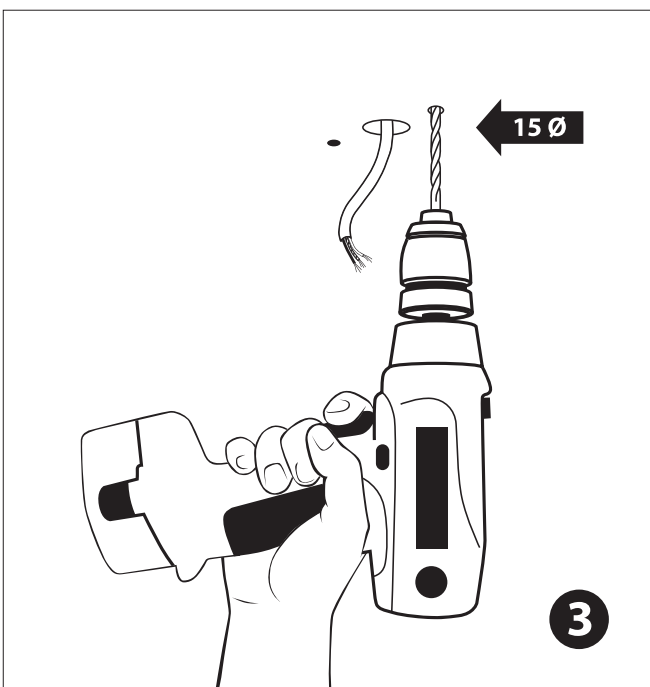
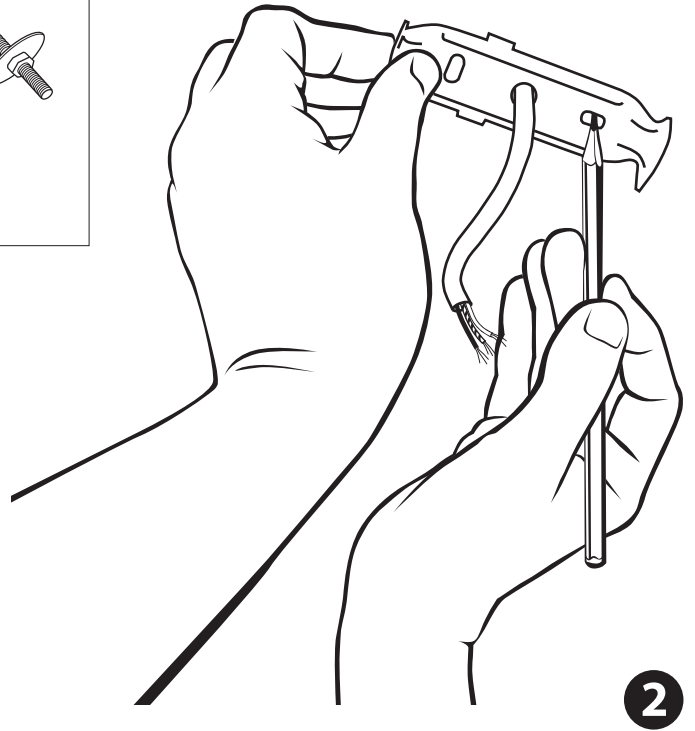
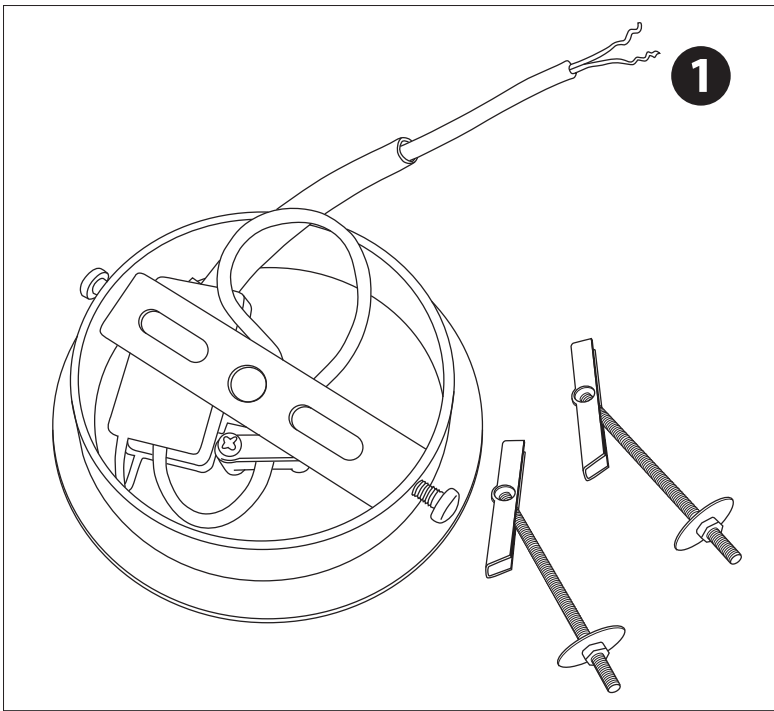
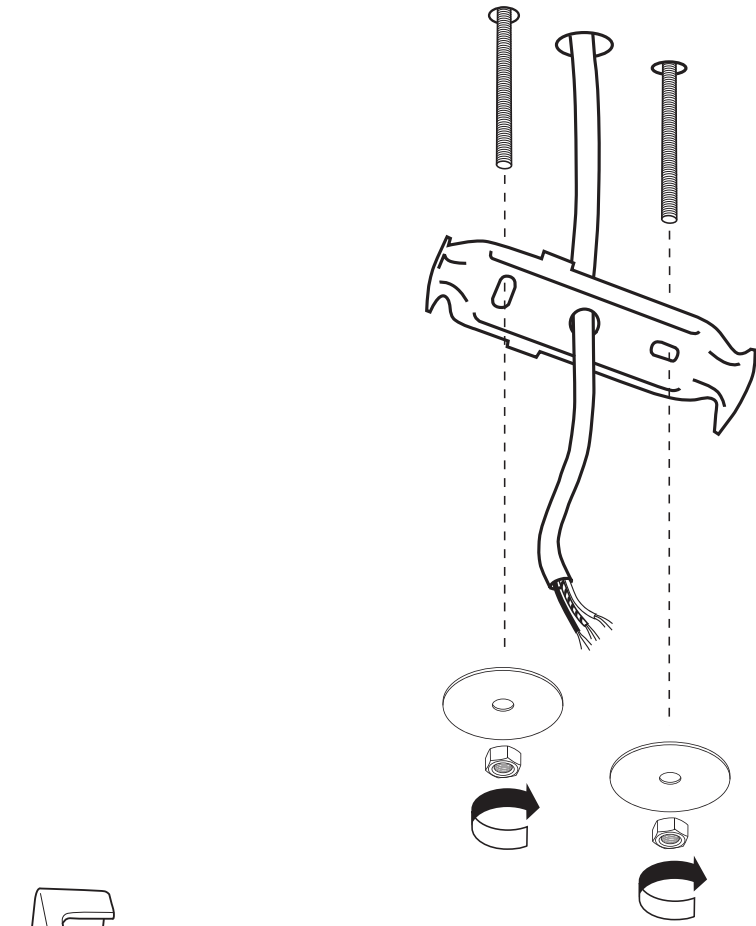


FORESTA - HANGING LAMP

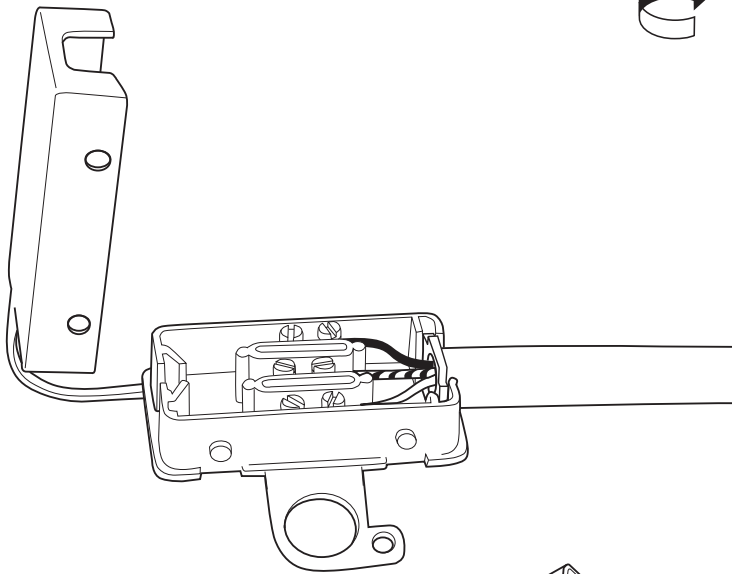
INSTALLATION GUIDE







5



6

